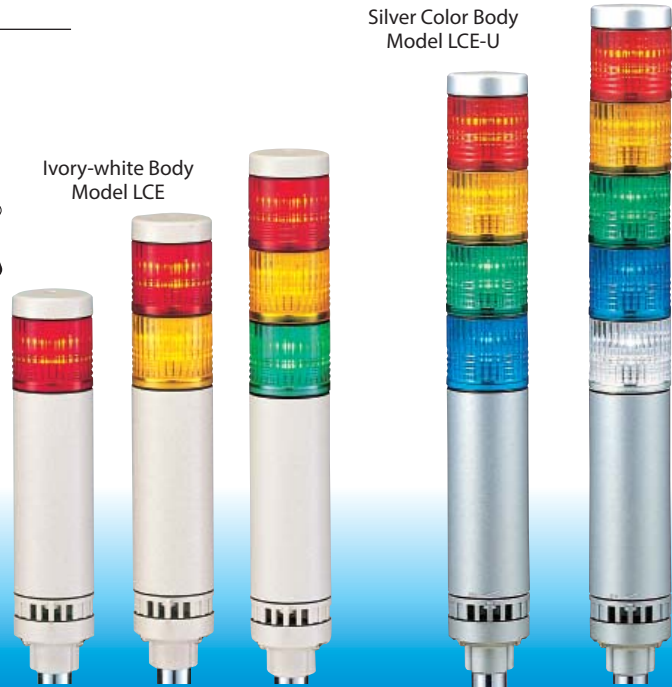


LCE/LCE-U



Signal Tower

- LED**
- 2 Alarm Sounds** (FB Type)
- 85 db at 1m** (FB Type)
- IP65** (LCE-FB Type: IP54)
- Ø40**
- Cable**
- NPN/PNP Open-collector**



High visibility from any angle



Adjustable Volume (Max. 85dB at 1m)



Dual Reflection System

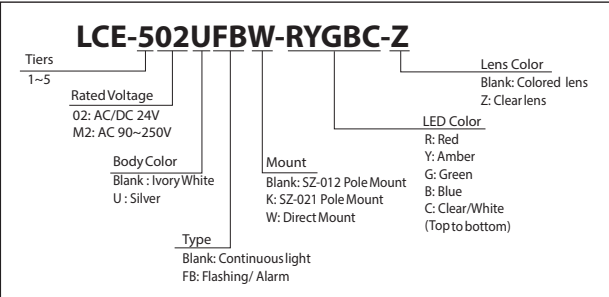
PATLITE's original dual reflection system with its exclusive hybrid prism-cut lens and 5 color LED modules creates a bright, distinctive and even illumination.

The low-priced, high quality LED Signal Tower featuring low maintenance and energy savings.

FEATURES

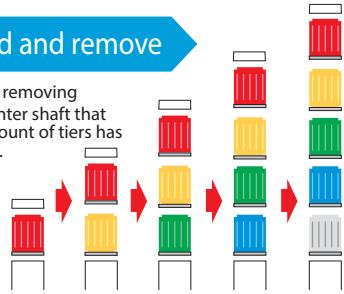
- PATLITE's exclusive hybrid prism-cut lens designed for enhanced visibility from any direction and distance.
- Original Dual Reflection System for enhanced light diffusion; creating bright, distinctive illumination while saving energy.
- Two Built-in Alarms (FB Type) with selectable sound patterns.
- Adjustable volume with a maximum of 85dB (at 1m).
- Direct or pole mount installation.
- Color-coordinated Wiring Corresponding to the lens color for quick wiring and verification.
- Interchangeable LED Modules requires no re-wiring, even after installation.
- Main body made of ABS resin with superior resistance to impact and heat. (U type has silver body and 3m cable)
- Lens is made of superior impact resistant and light translucent AS resin.
- NPN/PNP Compatible inputs for 24V DC type (M2 type compatible with NPN only).
- Available Colors are in Red, Amber, Green, Blue, and Clear/White.
- High visibility from any angle.
- Conforms to the CE requirements (for 24V type).
- UL Recognized Components (File No. E215660).
- NEMA Type 4/4X/13 for -W, -FBW Only

How to Order



Easy to add and remove

- When adding or removing modules, the center shaft that matches the amount of tiers has to be purchased.



Interchangeable LED Modules

Changeable color sequence: Easy to add/remove up to 5 colored modules even after installation.

Note: LED modules of the same color within a signal tower will light up simultaneously.

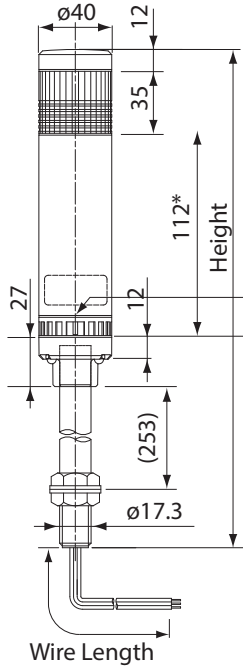


Wiring doesn't change

- The LED Module colors correspond to the wiring, so re-wiring is not necessary.

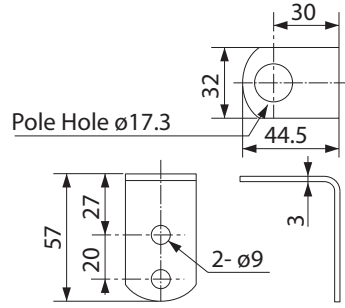
Dimensions

LCE Type LCE-U Type

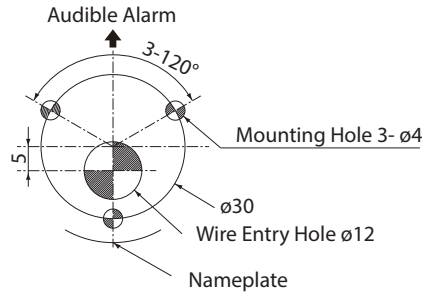


*M2-FB Type:167

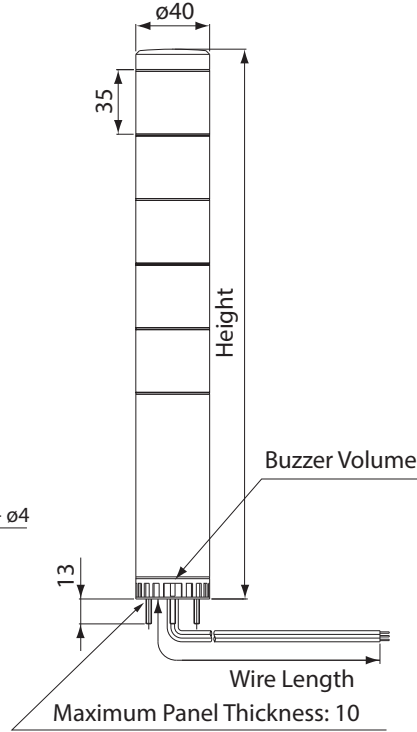
Side-Mount Bracket



Direct-mount Dimensions



LCE-W Type LCE-UW Type



LCE-M2FB Type

Height
1 Tier : 213
2 Tiers: 248
3 Tiers: 283
4 Tiers: 318
5 Tiers: 353

LCE Type LCE-U Type

Height
1 Tier : 158
2 Tiers: 193
3 Tiers: 228
4 Tiers: 263
5 Tiers: 298

(Unit: mm)

Wire Type and Length Chart

Model

LCE-02

Wire Area: 0.3mm²

Wire Type: UL1007

Wire Length (mm): 1,100 (W Type: 1,400)

(W Type Brown Wire: 1,350)

LCE-(FB)

Wire Length: All K Type have wire length of 1,000mm

LCE-M2

Signal Wire Area: 0.3mm²

Wire Type: UL1007

Wire Length (mm): 1,050 (W Type: 1,350)

Power/Ground Wire Area: 0.75mm²

Wire Type: UL1015

Wire Length (mm): 1,050 (W Type: 1,350)

LCE M2FB

Signal Wire Area: 0.3mm²

Wire Type: UL1007

Wire Length (mm): 950 (W Type: 1,250)

Power/Ground Wire Area: 0.75mm²

Wire Type: UL1015

Wire Length (mm): 950 (W Type: 1,250)

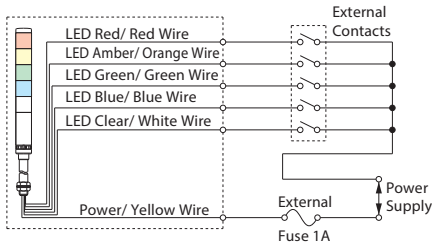
Specifications

Stack Number	Model	Rated Voltage	Power Consumption	Mass			
				LCE	LCE-W	LCE-FB	LCE-FBW
1 Tier	LCE-102(U)	AC/DC 24V	1.7W	520g	160g	580g	220g
	LCE-1M2	AC 90 -250V	1.9W	600g	240g	650g	290g
2 Tiers	LCE-202(U)	AC/DC 24V	2.4W	550g	190g	610g	250g
	LCE-2M2	AC 90 -250V	2.6W	630g	270g	680g	320g
3 Tiers	LCE-302(U)	AC/DC 24V	3.0W	580g	220g	640g	280g
	LCE-3M2	AC 90 -250V	3.2W	660g	300g	710g	350g
4 Tiers	LCE-402(U)	AC/DC 24V	3.6W	610g	250g	670g	310g
	LCE-4M2	AC 90 -250V	3.8W	690g	330g	740g	380g
5 Tiers	LCE-502(U)	AC/DC 24V	4.2W	640g	280g	700g	340g
	LCE-5M2	AC 90 -250V	4.4W	720g	360g	770g	410g

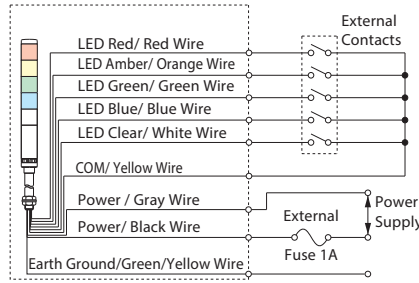


Wiring

• AC/DC 24V Lighting Type



• AC 90 - 250V Lighting Type

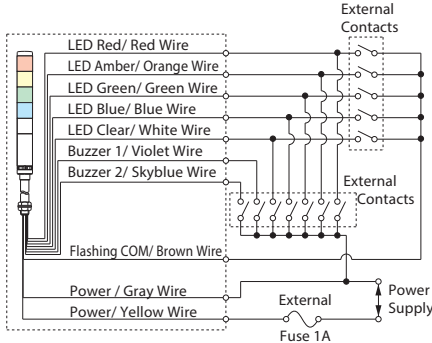


Lead-wire color coordination table

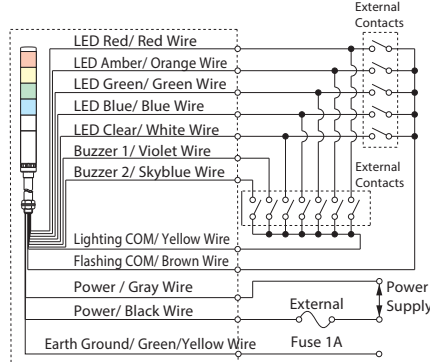
LED Unit Color	Lead Wire Color
Red	Red
Amber	Orange
Green	Green
Blue	Blue
Clear/White	White

Alarm Sounds	Lead Wire Color
Buzzer 1	Purple
Buzzer 2	Skyblue

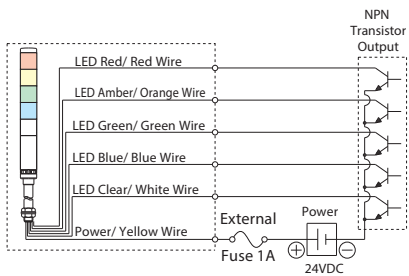
• AC/DC 24V Lighting/Flashing Type



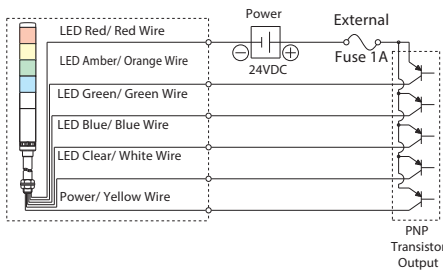
• AC 90 - 250V Lighting/Flashing Type



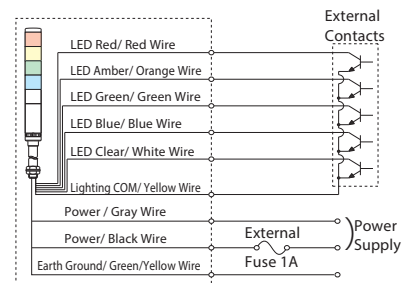
• DC 24V NPN Type



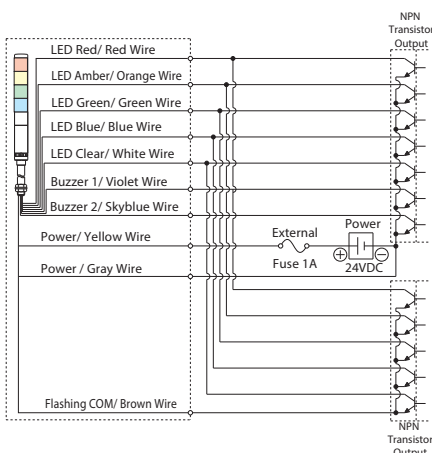
• DC 24V PNP Type



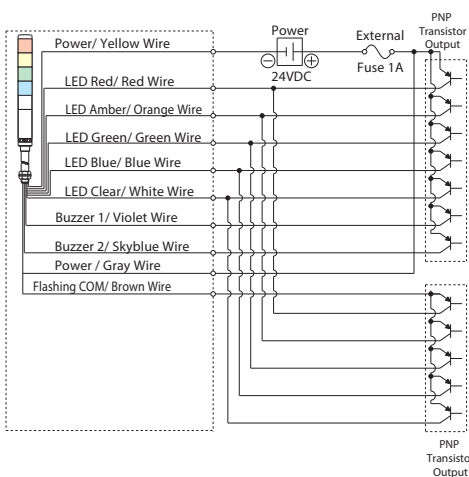
• AC 90 - 250V NPN Type



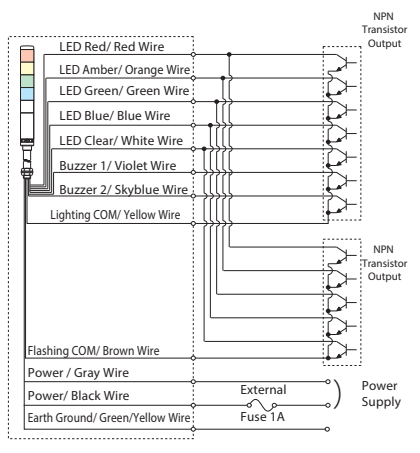
• DC 24V NPN FB Type



• DC 24V PNP FB Type



• AC 90 - 250V NPN FB Type



Signal Line voltage and current per LED Module

Model	Rated Voltage	Signal Line Voltage	LED		Alarm	
			Signal Line Current		Signal Line Current	Inrush Current
			R, Y	G, B, C		
LCE/LCE-U	AC/DC 24V	AC/DC 24V	30mA	25mA	40mA	250mA
LCE-M2	AC 90V - 250V	DC 24V	30mA	25mA	40mA	250mA